

Item No.	Type	Sub	Part No.	Description	Qty	Unit
001			458406-0	LOCK LEVER L	1	PC.
002			183L32-5	HANDLE SET	1	SET
		INC.	263005-3	RUBBER PIN 6	2	PC.
		INC.	803N81-5	CAUTION LABEL	1	PC.
		INC.	816V10-7	CAUTION LABEL	1	PC.
003			140A04-7	SUB CONTROLLER COMPLETE	1	PC.
		INC.	806G56-1	INDICATION LABEL	1	PC.
		INC.	817C42-3	SWITCH LABEL	1	PC.
004			458570-7	SLIDER	1	PC.
005			458405-2	LOCK ARM	1	PC.
006			234204-4	COMPRESSION SPRING 8	1	PC.
007			650781-2	SWITCH C3JW-6B-P	1	PC.
008			458403-6	LOCK OFF LEVER	1	PC.
009			458404-4	SWITCH LEVER R	1	PC.
010			232454-5	TORSION SPRING 10	1	PC.
011	3		620K05-6	CONTROLLER	1	PC.
	4		620M95-1	CONTROLLER	1	PC.
012			644809-6	TERMINAL	1	PC.
013			855G51-8	DUH602 SERIAL NO. LABEL	1	PC.
015			266326-2	TAPPING SCREW 4X18	6	PC.
016			458407-8	LOCK LEVER R	1	PC.
017			266326-2	TAPPING SCREW 4X18	1	PC.
018			855G45-3	DUH602 NAME PLATE	1	PC.
019			183K21-4	HOUSING SET	1	SET
		INC.	252143-6	COLLARED HEX.NUT M5-8	2	PC.
		INC.	424344-8	DAMPER	4	PC.
020			651083-9	SWITCH C3XA-1PSPM	1	PC.
021			266326-2	TAPPING SCREW 4X18	4	PC.
023			266326-2	TAPPING SCREW 4X18	2	PC.
024			265182-7	+ PAN HEAD SCREW M5X25	2	PC.
025			458399-1	PROTECTOR	1	PC.
026			458400-2	FRONT GRIP E	1	PC.
027	1		251476-6	H.S.H.BOLT M5X35 WITH WR	1	PC.
	2		265D13-4	H.S.H.BOLT M5X35 WITH WRM	1	PC.
028			253416-0	DISH WASHER 5	1	PC.
029			257678-2	SLEEVE 6	1	PC.
030			422260-8	RUBBER SLEEVE 8	2	PC.
031			233222-9	COMPRESSION SPRING 5	2	PC.
032			458402-8	SWITCH LEVER F	1	PC.
033			422261-6	RUBBER SLEEVE	1	PC.
034	2		183L66-8	MOTOR HOUSING SET	1	PC.
035			266490-9	TAPPING SCREW PT 2X6	3	PC.
036			629352-6	STATOR	1	PC.
037			652069-6	FLAT HEAD SCREW M3X6	3	PC.
038			266326-2	TAPPING SCREW 4X18	4	PC.
039	2		911128-8	PAN HEAD SCREW M4X16 W/WR	4	PC.
041			211157-4	BALL BEARING 695ZZ	1	PC.
042	2		510450-6	ROTOR ASSY	1	PC.
		INC.		Item No. 41,43		
043	2		210005-4	BALL BEARING 608DDW	1	PC.
044			422259-3	RUBBER SLEEVE 8	2	PC.
045	2		136278-0	GEAR HOUSING COMPLETE	1	PC.
		INC.	424344-8	DAMPER	1	PC.
		INC.	213961-7	O RIGN 22 (added)	1	PC.
047			211032-4	BALL BEARING 608ZZ	1	PC.

Item No.	Type	Sub	Part No.	Description	Qty	Unit
048			347361-0	FRICITION PLATE	1	PC.
049			347362-8	CONNECTING ROD	1	PC.
050			915211-3	* BINDING HEAD SCREW M5X12 (Added)	1	PC.
051			412908-0	* GUARD E (Added)	1	PC.
052	2		191R57-1	* SHEAR BLADE ASSEMBLY 600 SET	1	PC.
		INC.	345205-8	* BRANCH CATCHER	1	PC.
		INC.	911208-0	* PAN HEAD SCREW M5X10	1	PC.
		INC.	188369-3	* OIL VESSEL SET	1	PC.
		INC.		* Item No. 65		
		INC.	257465-9	* RING 5	2	PC.
		INC.	264013-7	* HEX LOCK NUT M5-8	7	PC.
		INC.	253571-8	* FLAT WASHER 5	7	PC.
		INC.	265A40-3	* + TRUSS HEAD SCREW M5X20	7	PC.
		INC.		* Item No. 50, 51, 62, 63		
053	1		265182-7	* + PAN HEAD SCREW M5X25	2	PC.
	2		265B66-1	* + PAN HEAD SCREW M5X25 W/WR	2	PC.
054	2		140B79-2	* GEAR COMPLETE	1	PC.
055			347362-8	CONNECTING ROD	1	PC.
056			347361-0	FRICITION PLATE	1	PC.
057			211499-6	BALL BEARING 626ZZ	1	PC.
058			443159-4	SEAL	1	PC.
059			140B62-9	GEAR HOUSING COVER COMPLETE	1	PC.
060			265338-2	H.S.BOTTON HEAD BOLT M6X8	1	PC.
061			265A29-1	HEX. SOCKET HEAD BOLT M4X16WRM	2	PC.
062			915211-3	* BINDING HEAD SCREW M5X12 (Added)	2	PC.
063			458628-2	* SPACER 600 (Added)	1	PC.
064			313211-1	SLEEVE 5	2	PC.
065			253804-1	* FLAT WASHER 6 (removed)	2	PC.
066			458907-8	UNDER COVER	1	PC.
068			265698-2	HEX. SOCKET HEAD BOLT M4X25WRM	2	PC.
069			265A29-1	HEX. SOCKET HEAD BOLT M4X16WRM	2	PC.
C01A			822B29-6	CARTON	1	PC.
<u>ACCESSORIES</u>			- Visit www.makita.ca for more accessories information -			
A01			459121-9	BLADE COVER 600S	1	PC.
A03	1		199152-3	* CHIP RECEIVER ASSEMBLY SET	1	PC.
	2		199151-5	* CHIP RECEIVER ASSEMBLY SET	1	PC.
A05			450128-8	BATTERY CASE	1	PC.
A06			-----	BATTERY CHARGER	1	PC.
A07			-----	18V LI-ION BATTERY	1	PC.

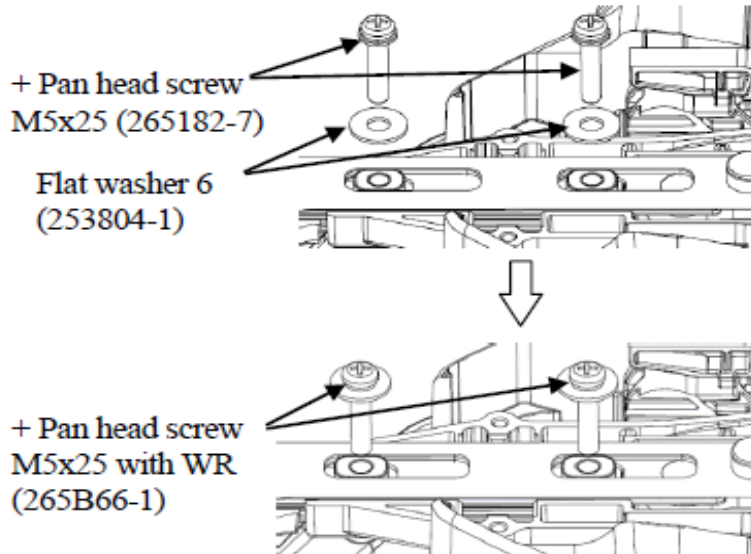
SERVICE CHANGES

1. Changes on +PH Screw M5x25 and PH Screw M4x16 (T/I#D4810)

Item No.	Description	Type 1	Type 2
053	+ PAN HEAD SCREW M5X25	265182-7	265B66-1
065	FLAT WASHER 6	253804-1	-----

Above parts are completely interchangeable as a set.

Following drawings are Double edged blade models

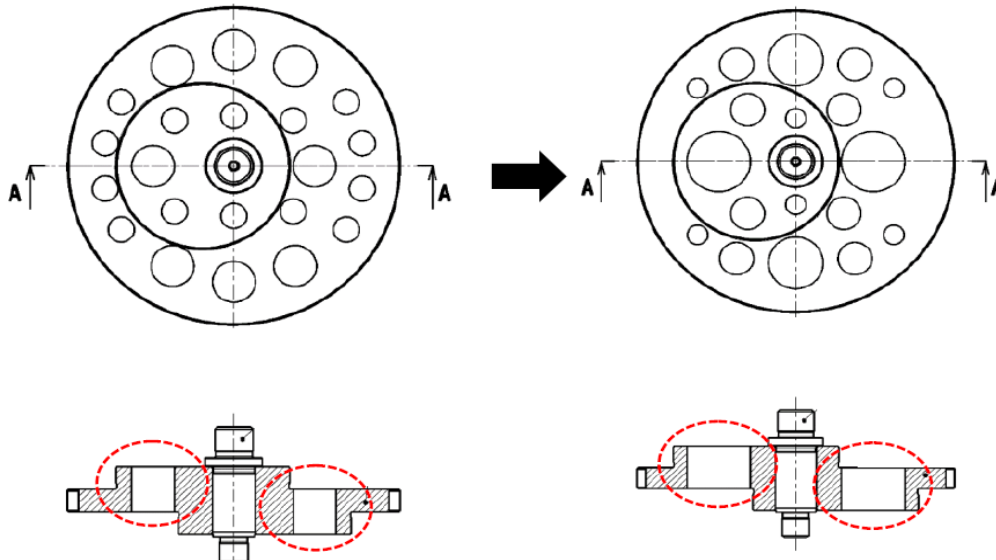


2. Changes on Shear Blade 600 SET and Gear Complete (T/I#D8629)

Item No.	Description	Type 1	Type 2
052	SHEAR BLADE ASSY 600S SET	199101-0	191R57-1
054	GEAR COMPLETE	140B80-7	140B79-2
A03	CHIP RECEIVER ASSY SET	199152-3	199151-5

Above parts are completely interchangeable as a set.

GEAR COMPLETE



3. Addition of components for Hedge Trimmer

(T/I#Y09130)

Item No.	Description	Type 1	Type 2
50	BINDING HEAD SCREW M5X12	-----	915211-3
51	GUARD E	-----	412908-0
62	BINDING HEAD SCREW M5X12	-----	915211-3
63	SPACER 600	-----	458628-2
52	INC. 065	-----	-----
	INC. 050, 051, 062-064	-----	-----
	HEX LOCK NUT M5-8	-----	264013-7
	FLAT WASHER 5	-----	253571-8
	+TRUSS HEAD SCREW M5X20	-----	265A40-3

Item No. 052
191R57-1
Shear blade 600S set

